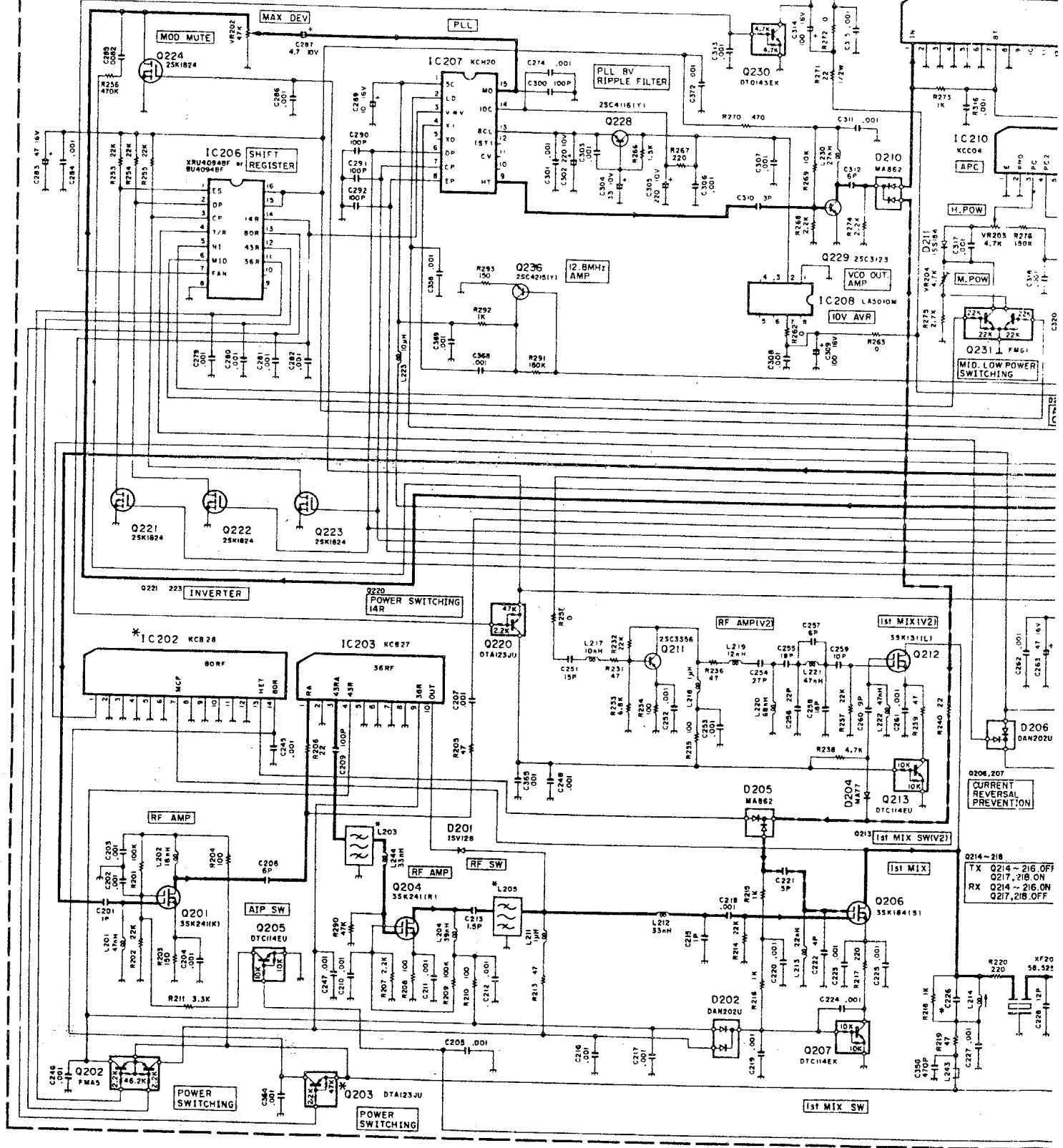


- Q1 : 2SB1149(M)
- Q2 : 2SC2712(Y)
- Q3,4 : 2SA1162(Y)

- IC1 : L78LR05B-FA
- IC2,3 : TC4S11F
- IC4 : µPD75336GC-XXX-3B9
- IC5 : X24C08SBI
- IC6,7 : NJU6432BF

- D1 : LFB01
- D2 : MA110
- LED1,2 : MBG3373K

Note: _____
 Circuits are subject to change without notice due to advancements in technology.



Q214 ~ 218
 TX Q214 ~ 216 OFF
 Q217, 218 ON
 RX Q214 ~ 216 ON
 Q217, 218 OFF

D206, 207
 CURRENT REVERSAL PREVENTION

D206 DAN202U
 D207 DAN202U

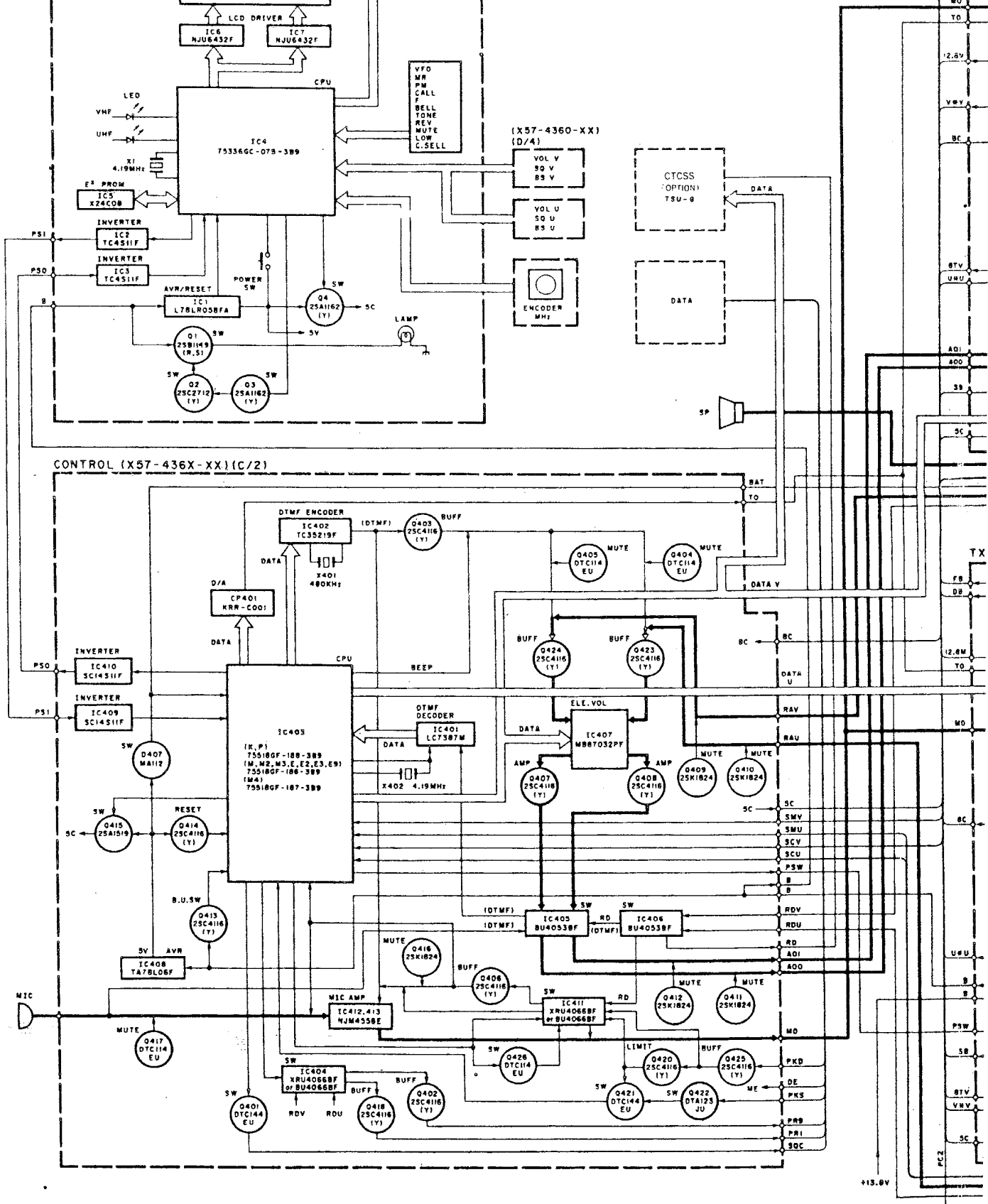
D210 MA862
 D204 MA77
 D205 MA862

Q231 FMG1
 MID. LOW POWER SWITCHING

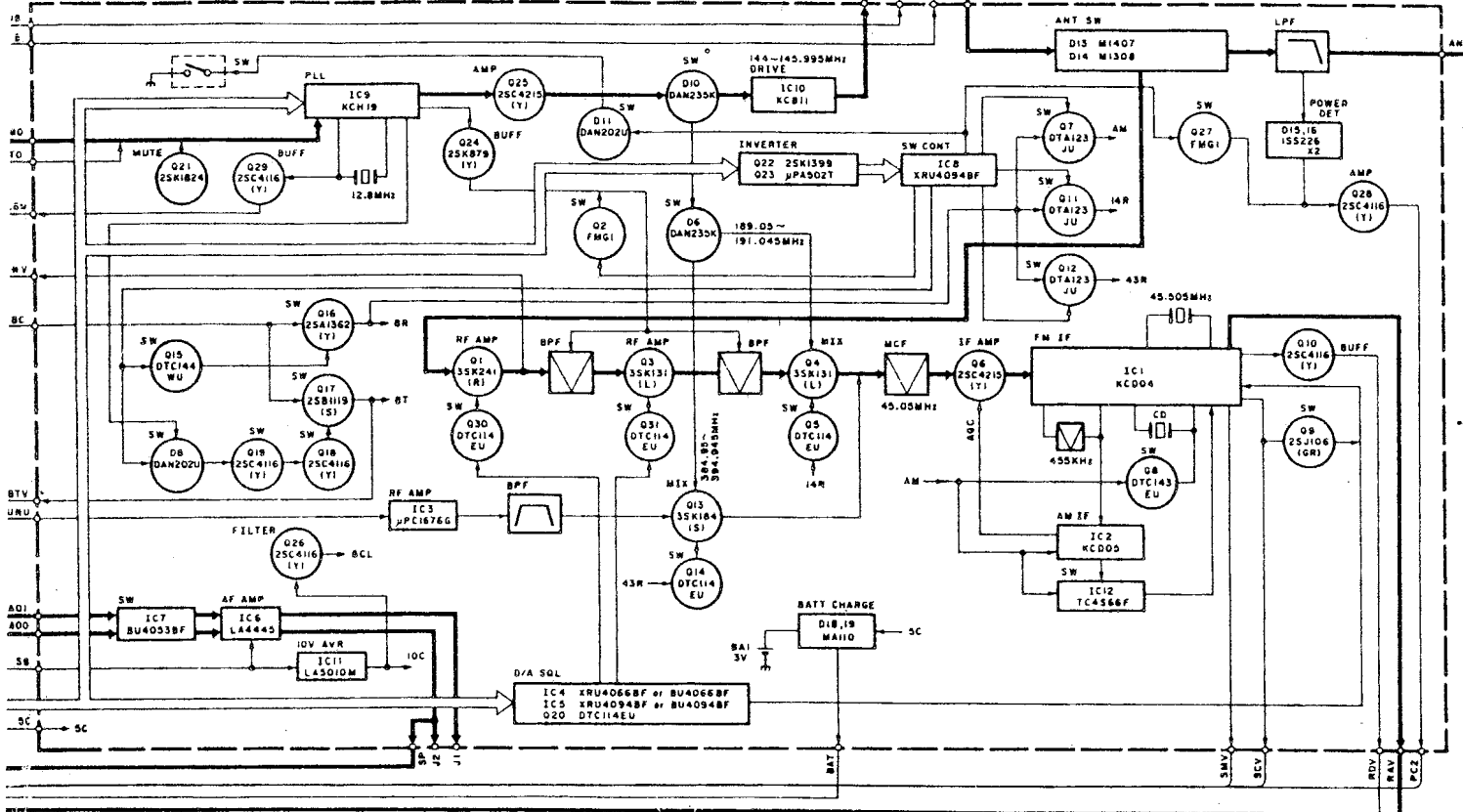
Q229 25C3123
 VCO OUT AMP
 Q228 25C41161Y1
 PLL BY RIPPLE FILTER

Q224 25K1824
 MOD MUTE
 Q221 25K1824
 Q222 25K1824
 Q223 25K1824
 INVERTER

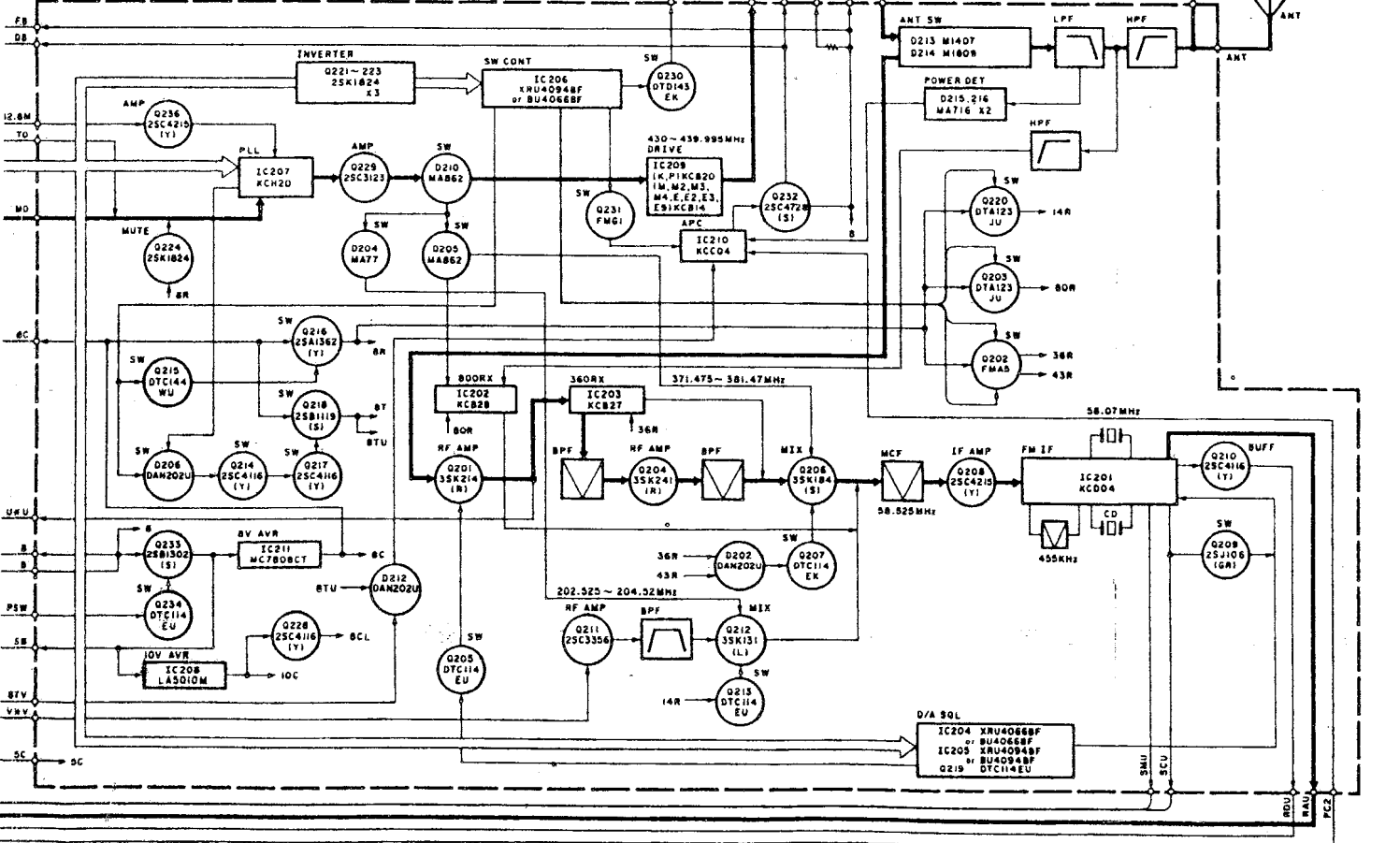
Q202 FMA5
 POWER SWITCHING
 Q203 DTA123JU
 POWER SWITCHING



TX-RX UNIT/144 MHz (X57-436X-XX) (A/4)



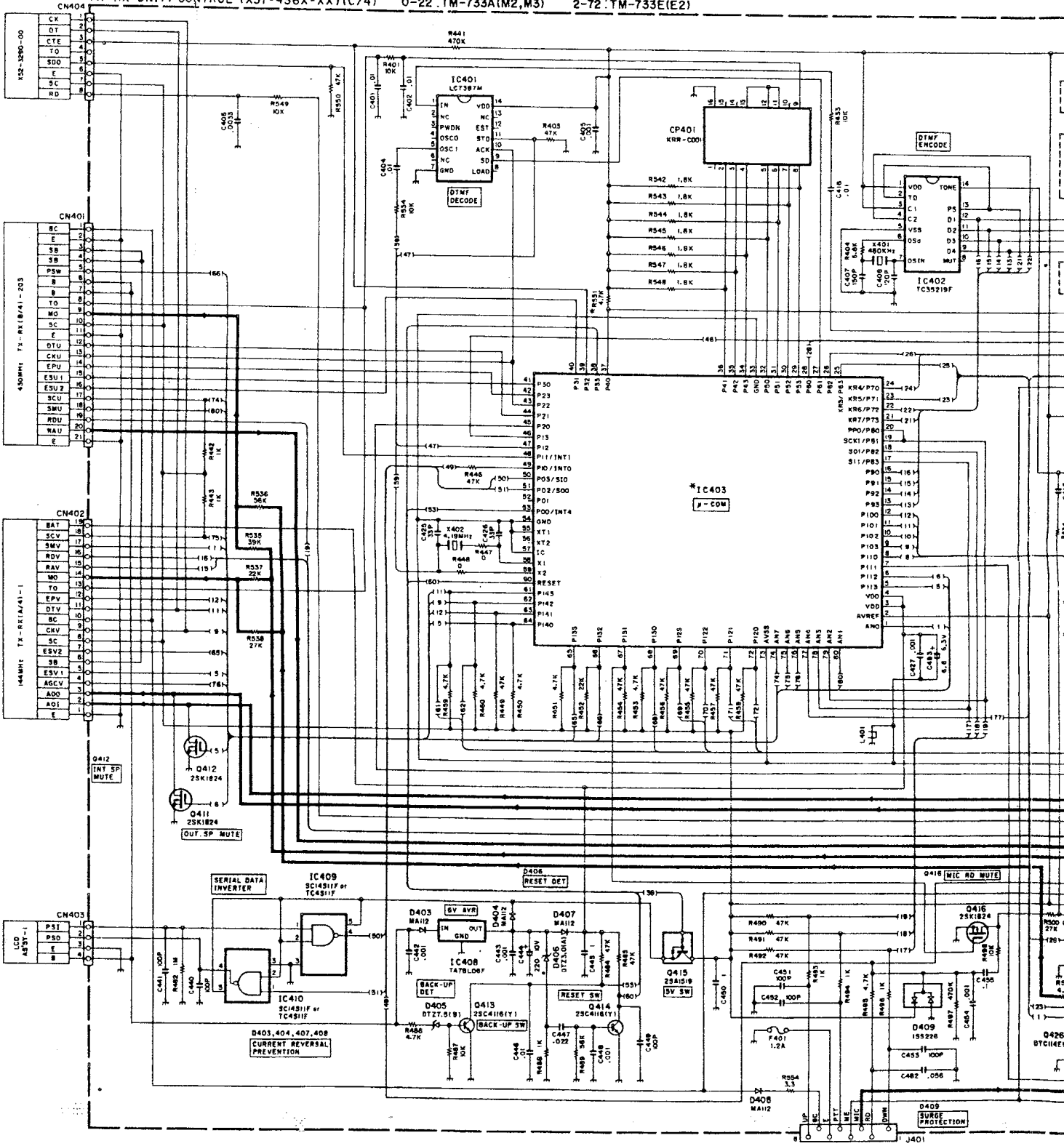
TX-RX UNIT/430MHz (X57-436X-XX) (B/4)

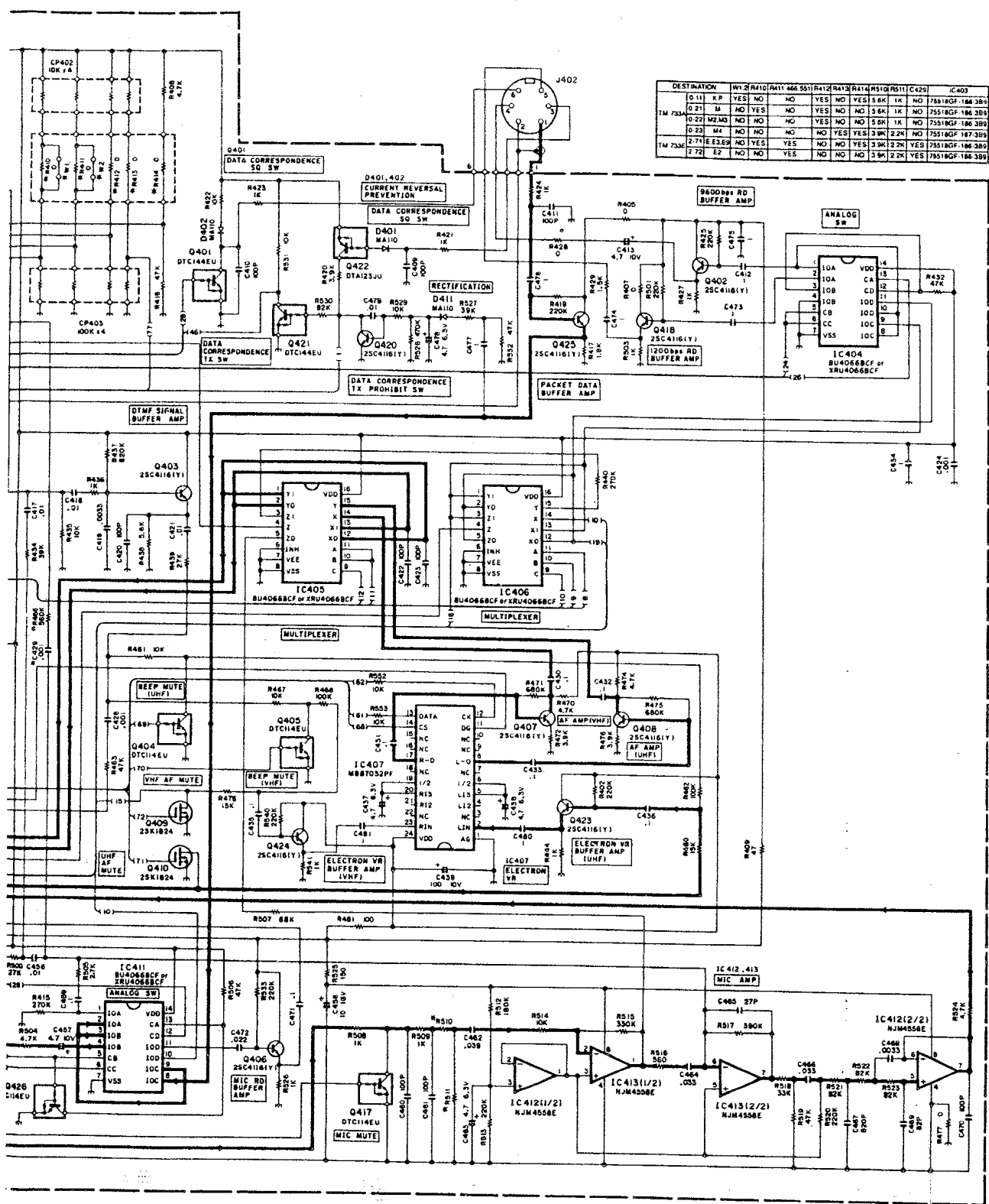


Note: Circuits are subject to change without notice due to advancements in technology.

- 0-11 : TM-733A(K,P)
- 0-21 : TM-733A(M)
- 0-22 : TM-733A(M2,M3)
- 0-23 : TM-733A(M4)
- 2-71 : TM-733E(E,E3,E9)
- 2-72 : TM-733E(E2)

TX-RX UNIT/CONTROL (X57-436X-XX)(C/4)



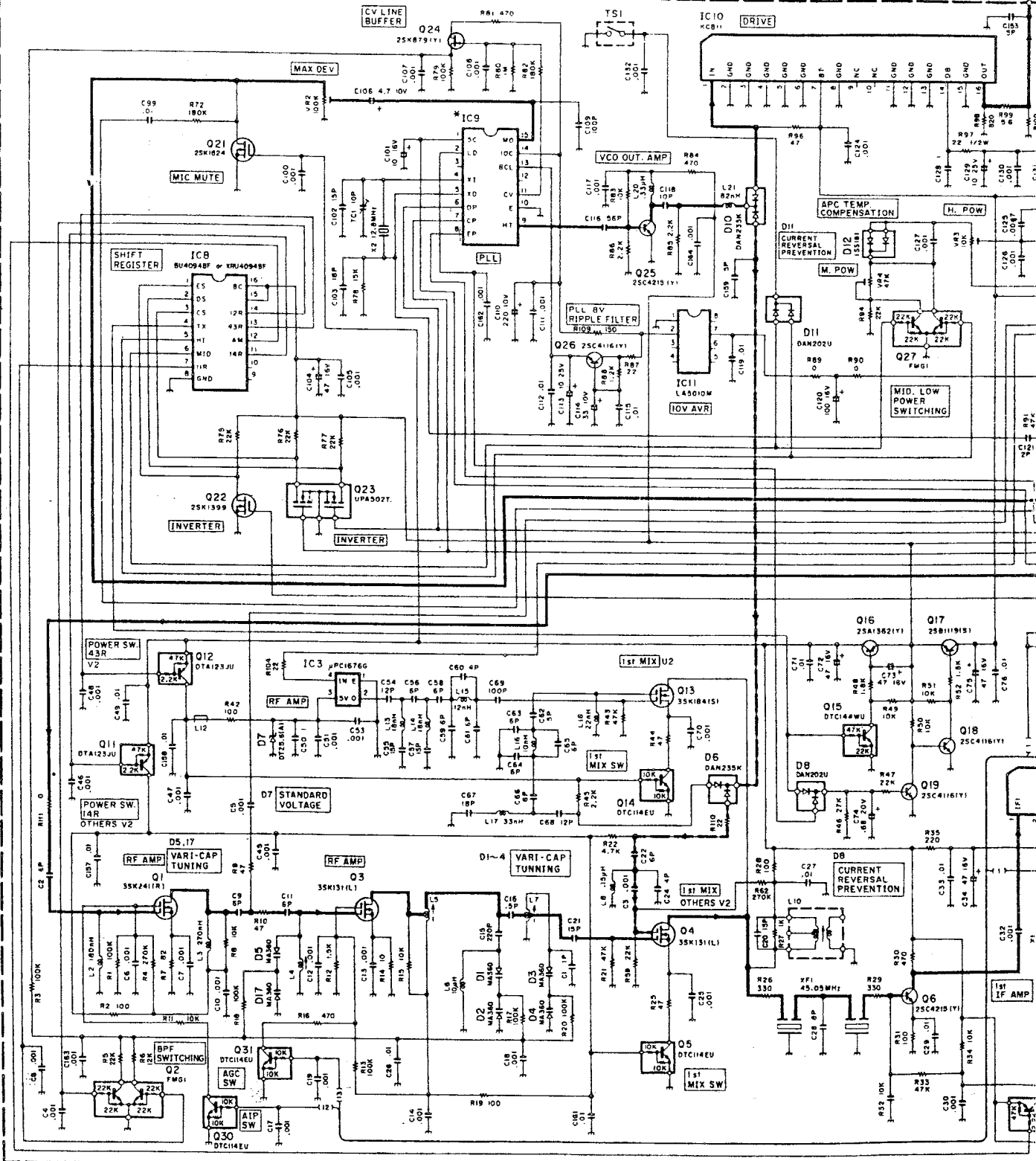


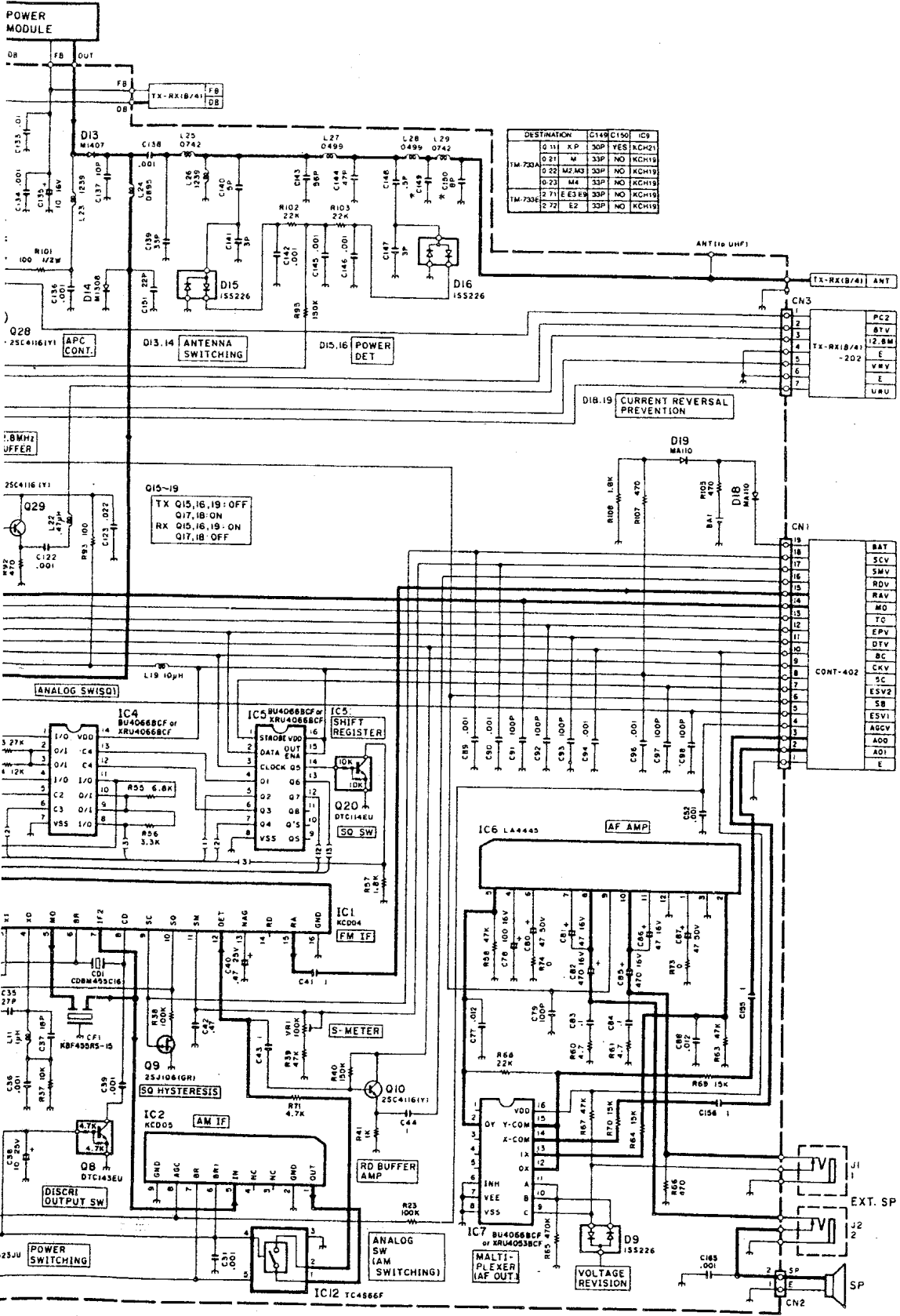
DESTINATION	W1	R410	R411	466	S51	R412	R413	R414	R510	R511	C420	IC403
0 11	K P	YES	NO	NO	YES	NO	YES	5 6K	1K	1K	NO	75518GF-166-389
0 21	M	NO	YES	NO	NO	YES	NO	NO	5 6K	1K	NO	75518GF-166-389
10 22	M2 M3	NO	NO	NO	NO	NO	NO	NO	5 5K	1K	NO	75518GF-166-389
0 23	M4	NO	NO	NO	NO	YES	YES	3 3K	2 2K	NO	NO	75518GF-167-389
2 71 E	E3 E4	NO	YES	NO	NO	YES	3 3K	2 2K	YES	YES	YES	75518GF-166-389
2 72	E2	NO	NO	YES	NO	NO	NO	3 3K	2 2K	YES	YES	75518GF-166-389

- D401,402,411 : MA110
- D403,404,407,408 : MA112
- D405 : DTZ7.5(B)
- D406 : DTZ3.0(A)
- D409 : 1SS226
- Q401,421 : DTC144EU
- Q402,403,406-408,413,414,418,420,423-425 : 2SC4116(Y)
- Q404,405,417,426 : DTC114EU
- Q409-412,416 : 2SK1824
- Q415 : 2SA1519
- Q422 : DTA123JU
- IC401 : LC7387M
- IC402 : TC95219F
- IC403 : *
- IC404,411 : BU4066BCF
- IC405,406 : or XU4066BCF
- IC407 : or XU4053BCF
- IC408 : TA78L06F
- IC409,410 : SC14S11F
- IC412,413 : or NJM4558E

TX-RX UNIT/144MHZ (X57-436X-XX) (A/4)

- 0-11 : TM-733A(K,P)
- 0-21 : TM-733A(M)
- 0-22 : TM-733A(M2,M3)
- 0-23 : TM-733A(M4)
- 2-71 : TM-733E(E,E3,E9)
- 2-72 : TM-733E(E2)





DESTINATION	Q149	C150	IC5
0.11	X.P	33P	YES KCH21
0.21	M	33P	NO KCH19
0.22	M2A3	33P	NO KCH19
0.23	M4	33P	NO KCH19
2.71	E E3R8	33P	NO KCH19
2.72	E2	33P	NO KCH19

- Q1 : 35K241(R)
- Q2,27 : FMG1
- Q3,4 : 3SK131(L)
- Q5,14,20,30,31 : DTC114EU
- Q6,25 : 2SC4215(Y)
- Q7,11,12 : DTA123JU
- Q8 : DTC143EU
- Q9 : 2SJ106(GR)
- Q10,18,19,26,28,29 : 2SC4116(Y)
- Q13 : 3SK184(S)
- Q15 : DTC144WU
- Q16 : 2SA1362(Y)
- Q17 : 2SB1119(S)
- Q21 : 2SK1824
- Q22 : 2SK1399
- Q23 : UPA502T
- Q24 : 2SK879(Y)

- IC1 : KCD04
- IC2 : KCD05
- IC3 : μPC1676G
- IC4 : BU4066BCF or XRU4066BCF
- IC5,8 : BU4094BF or XRU4094BF
- IC6 : LA4445
- IC7 : BU4053BCF or XRU4053BCF
- IC9 : *
- IC10 : KCB11
- IC11 : LA5010M
- IC12 : TC4S66F

- D1-5,17 : MA360
- D6,10 : DAN235K
- D7 : DTZ5.6(A)
- D8,11 : DAN202U
- D9,15,16 : 1SS225
- D12 : 1SS181
- D13 : M1407
- D14 : M1308
- D18,19 : MA110